

## 8 - SPECIFIC INFORMATION

Master text

The Personal Protective Equipment Category III 629.085 "ZAZA1 CS EVO" is:

- an anchor device with one stationary anchor point without the need for a structural anchor or fixing element to fix it to the lifeline;
- a Mobile Connecting Device permanently attached to the lifeline during operation, and openable only with a tool;
- part of a system protecting against impact caused by fall from a height;
- certified according to EN 795:2012 type B and EN 17109:2020 type E.

**Fig. 1 - Lanyard attachment** - Proper installation of the lanyard (delivered separately) and the locking bar (B).

**Fig. 2 - Device attachment** - Proper installation of the device.

**Fig. 3 - Rescue** - How to remove for emergency evacuation and key usage (E).

**Fig. 4 - Example of correct use**

**Fig. 5 - Force composition** - Check carefully the suitability of the structure and the anchor point as a function of load transmitted by the device during use and its direction of application.

**Fig. 6 - Maximum displacement of the device in the condition of application of the whole load.**

**Fig. 7 - Examples of incorrect and dangerous use.**

**Compatibility** - This device has been designed to be used with:

- lanyards according to EN354;
- cables and ropes with diameter between 10mm and 12mm;
- lanyards with a connection loop for this device shorter than 60mm;
- safety lines supports deemed compatible with ZAZA1 CS EVO by manufacturer.

When used in rope courses according to EN15567-1, it is suitable to create ZAZA1 series of Individual Safety Systems. Other lanyards which minimum thickness is more than 7,3mm may be compatible.

**Check before and after use** - Before and after use, make sure that the device is in an efficient condition and that it is working properly, in particular, check that:

- is suitable for the use you intend to make of it;
- has not been mechanically deformed;
- shows no sign of cracks, wear, corrosion and oxidation;
- the gate (D), locking bar of the lanyard (B) and the grub crew (C) are locked on the body (A);
- the wear of the body (A), generated by the sliding of metal cables, is not higher than 20% of the initial size (fig. 10 - Kmin: 9,6mm);
- markings are still readable.

Before use, find a completely safe position and carry out movements and suspension tests to check that this device is correctly positioned on the rope/cable.

### Important:

- It is recommended that the anchor device is marked with the date of the last inspection carried out;
- The first installation of anchor devices must be carried out by competent people and verified by calculation or testing;
- This device:
  - should only be used as protective equipment against falls from a height and not to lift materials;
  - by itself is not intended to limit the deceleration of the fall of the user, as defined in EN 15567-1, for this requirement, it is essential to consider the whole ropes course system.

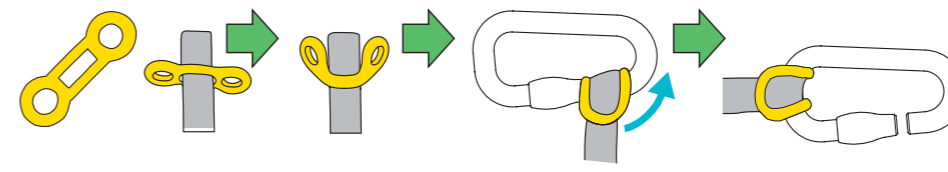
### Warning:

- Beware of entrapment;
- It is mandatory to install the lanyard locking bar (B);
- It is forbidden the use on the Via Ferrata, unless specially designed;
- The potential falling height must always be lower than 0.5 m (fig. 8) unless the user is equipped with suitable certified devices (eg. Energy absorbers according to EN355) that protects from dynamic forces exerted on the user during the arrest of a fall;
- The lifeline must comply with regulations enforced and must always be placed above the user (fig. 9).

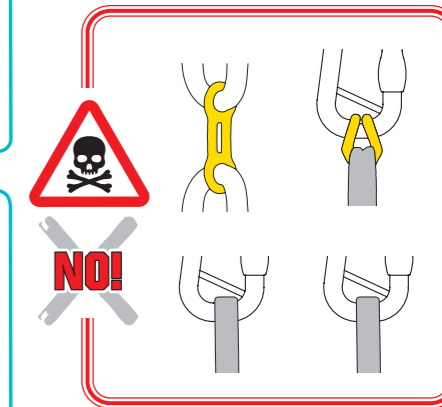
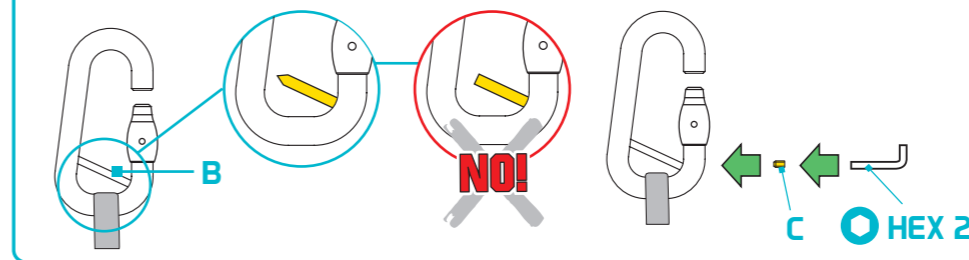
**Note:** when set as required by EN 795 and EN 15567-1, the installer of the anchorage devices must issue to the customer the installation documentation, signed by the same, containing at least the following information: address and location of the installation, the name and address of the company that performed the installation, the name of the person in charge of the installation, the identification of the anchoring device, methods and data relating to the fixing system, the schematic plan of installation to display to the users. This documentation must be kept by the purchaser for recording subsequent inspections of the anchor device. See EN795 and EN15567-1 for better reference.

1

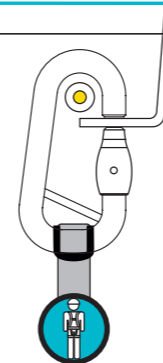
### LANYARD



### BAR

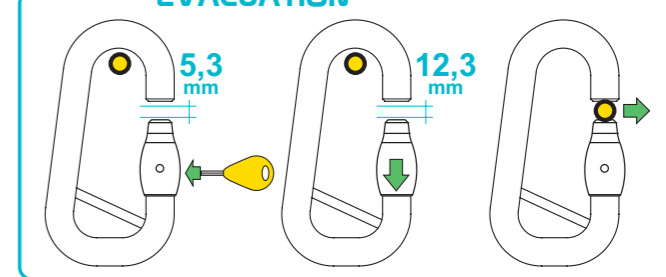


2

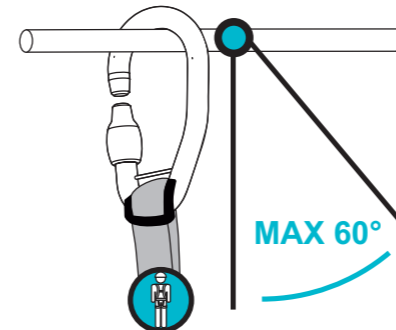


3

### EVACUATION

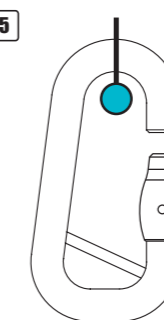


4

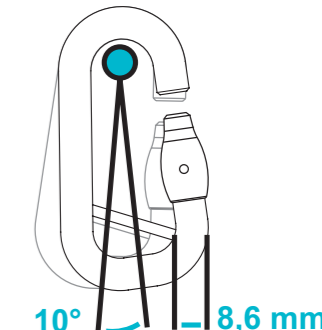


5

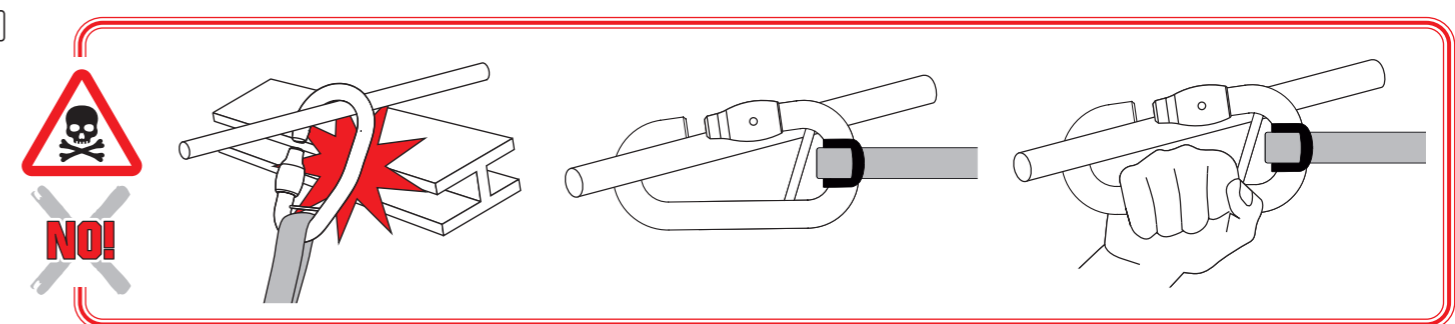
### ANCHOR MINIMUM STRENGTH 20kN



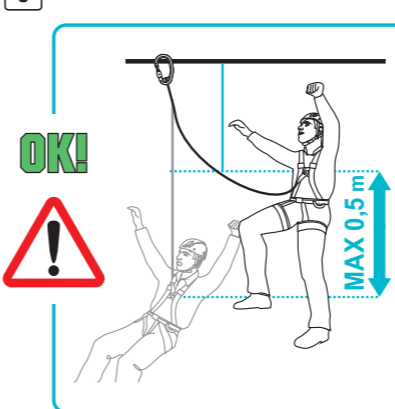
6



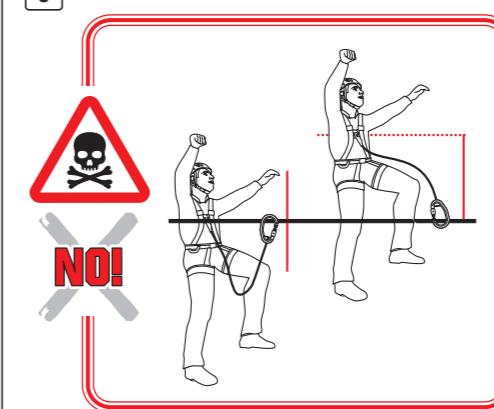
7



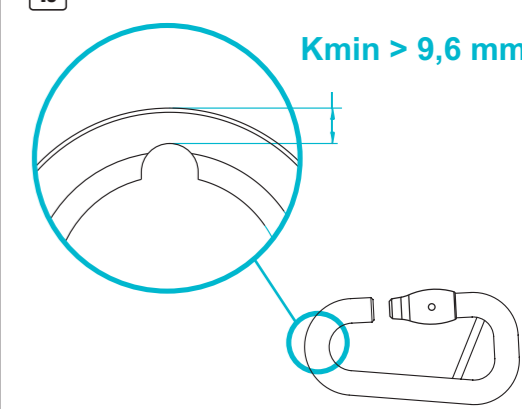
8



9

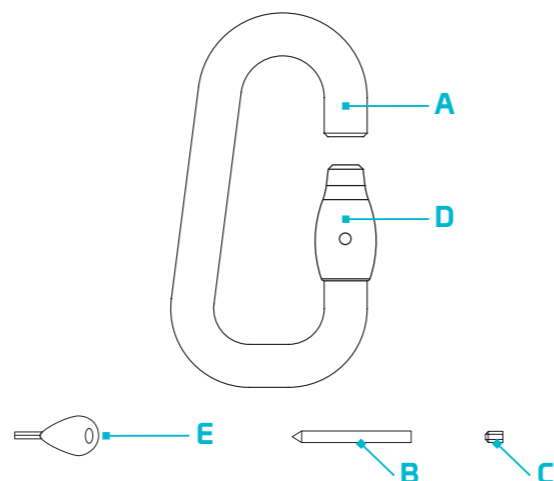


10



ZZV05437 rev. 0

### NOMENCLATURE • NOMENCLATURA



**EN:** (A) Stainless steel body, (B) Stainless steel bar for lanyard locking, (C) Galvanized steel grub screw with threadlock, (D) Stainless steel gate, (E) Key for removal in case of emergency evacuation (not supplied).

**IT:** (A) Corpo in acciaio inossidabile, (B) Barretta di bloccaggio della lanyard in acciaio inossidabile, (C) Grano filettato in acciaio zincato con frenafiletto, (D) Ghiera in acciaio inossidabile, (E) Chiave per la rimozione in caso di evacuazione d'emergenza (non in dotazione).

**FR:** (A) Corps en acier inoxydable, (B) Barre en acier inoxydable pour le verrouillage de la longe, (C) Vis sans tête en acier galvanisé avec verrouillage fileté, (D) Porte en acier inoxydable, (E) Clé à retirer en cas d'évacuation d'urgence (non fournie).

**DE:** (A) Körper aus Edelstahl, (B) Edelstahlstange zur Verriegelung des Lanyard-Schlösses, (C) Gewindestift aus verzinktem Stahl mit Gewindesicherung, (D) Schnapper aus Edelstahl, (E) Schlüssel zur Entnahme im Falle einer Notfall-evakuierung (nicht mitgeliefert).

**ES:** (A) Cuerpo de acero inoxidable, (B) Barra de acero inoxidable para el bloqueo del cabo doble, (C) Tornillo de fijación de acero galvanizado con bloqueo de rosca, (D) Puerta de acero inoxidable, (E) Llave para retirar en caso de evacuación de emergencia (no suministrada).

### NOMENCLATURE • TERMINOLOGIE • NOMBRES

