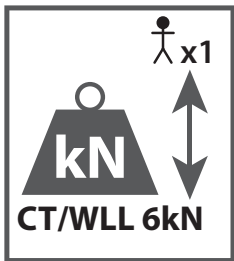


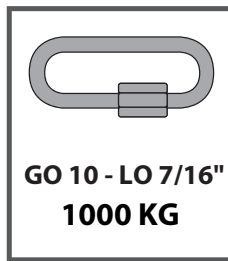
ZAZA 2 CONNECT

ADVANTAGES

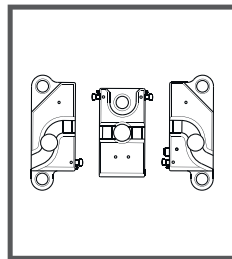
- Solution for pendular Jump
- Solution for Verticalities
- Solution for rolling Games
- SIMPLE and INTUITIVE from 10/12 years old



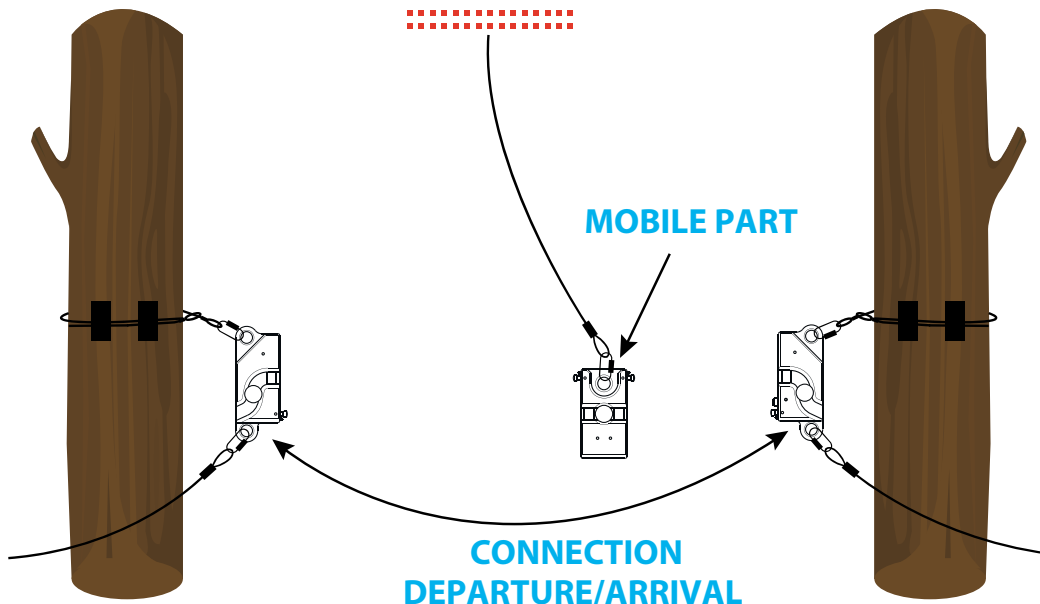
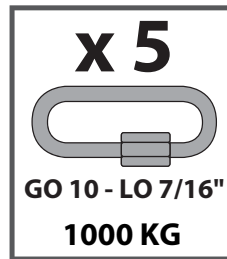
Safety Line :
ø 12 mm or 1/2 "
 Galvanized steel wire rope
 with metal core :
 -7x19 / 1x19
 -Non rotating wire rope
 -6x26 Swaged



EN 15567-1
EN 13411-1/7
STANDARDS



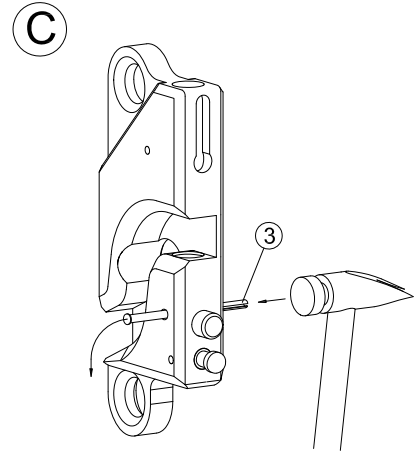
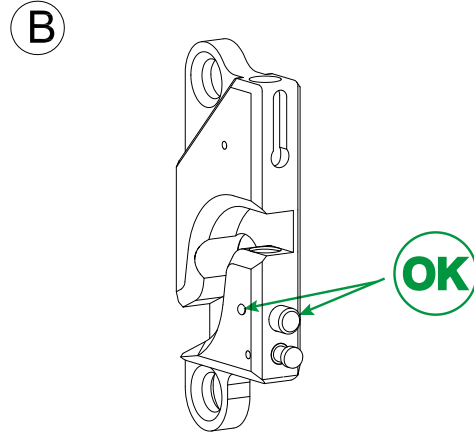
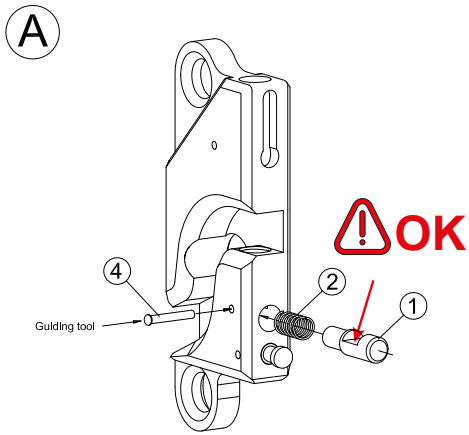
=



Opération 1

CHOICE OF RUNNING DIRECTION

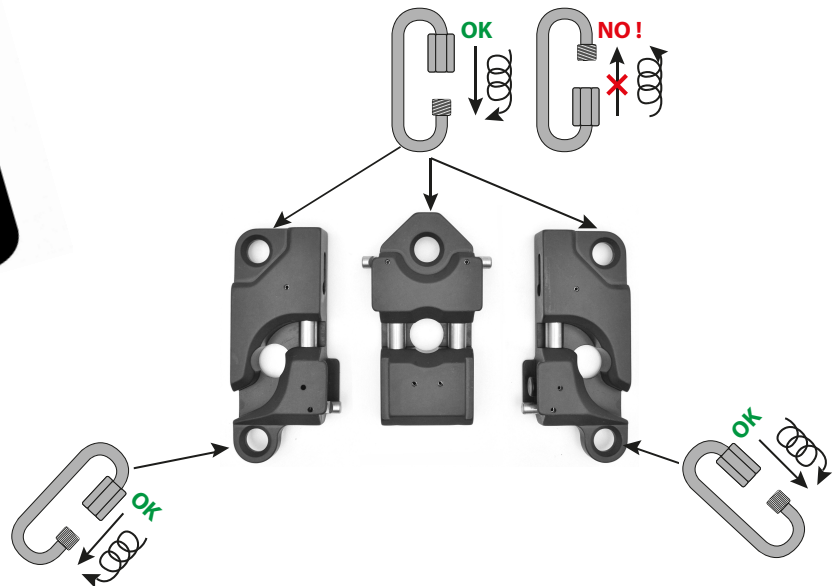
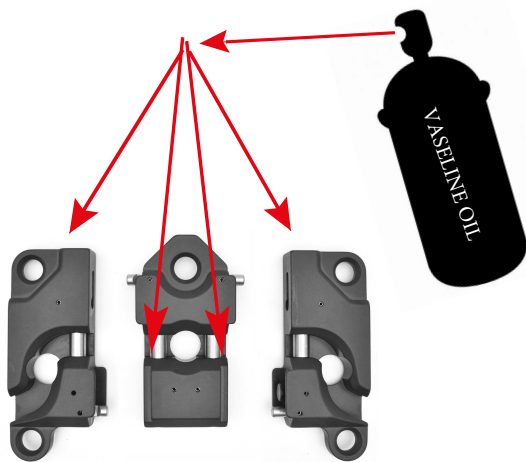
● FIT THE LOCKING PISTON ON ARRIVAL PART



Opération 2



Lubrication pistons before service + regular maintenance

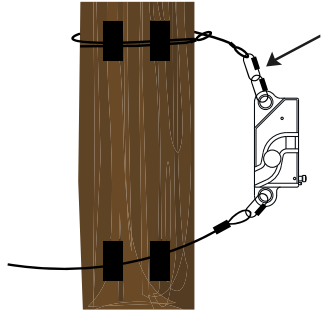


Opération 3

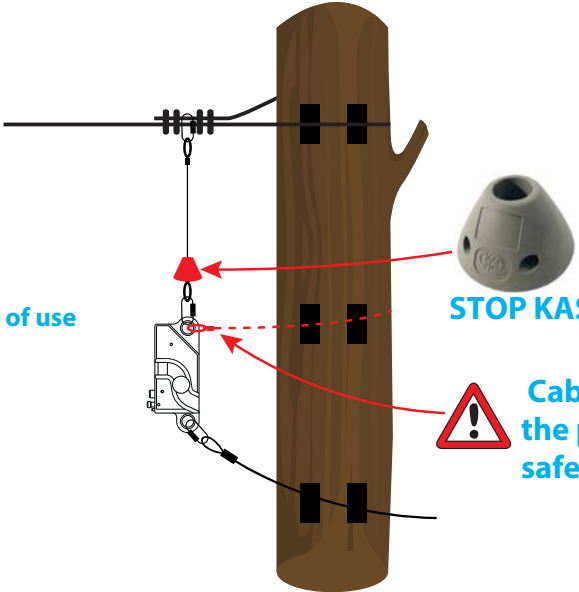
FIXING SYSTEME EXAMPLE DEPARTURE/ARRIVAL



Departure/arrival part have to be really free




Freedom= ease of use



STOP KASC

Cable or Stop to block the passage of the safety hook

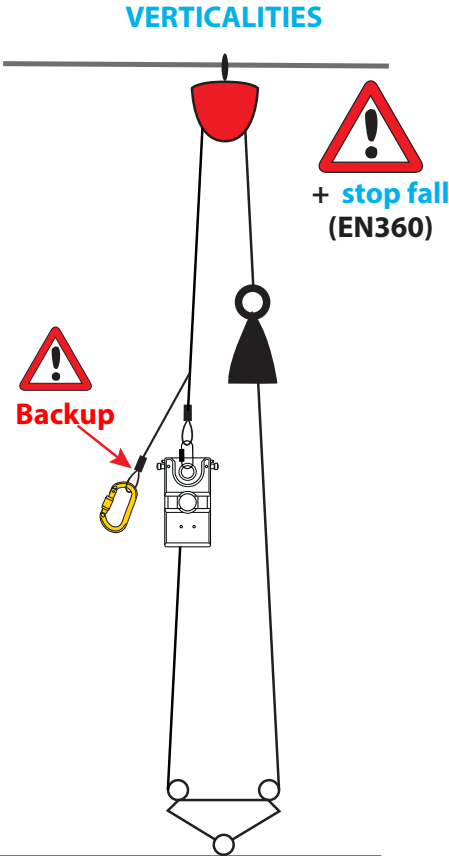
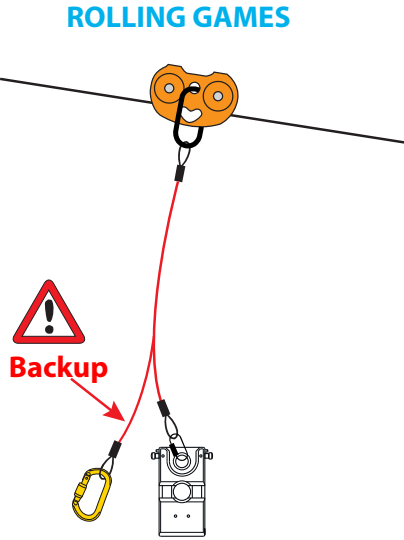
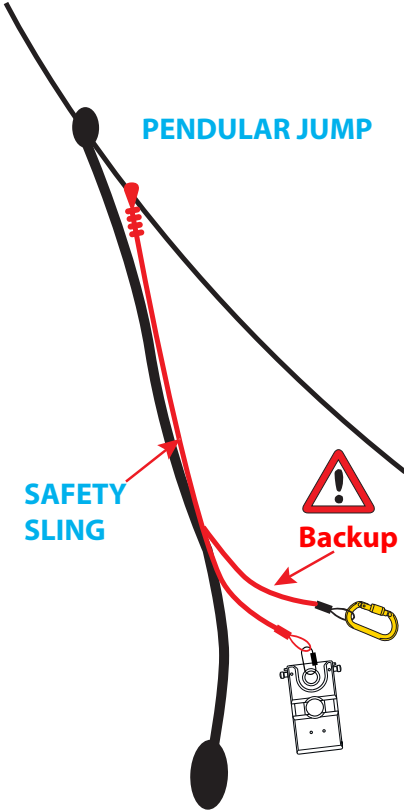
STANDARDS OF ASSEMBLY



EN 15567-1
EN 13411-1/7
STANDARDS - ACCT

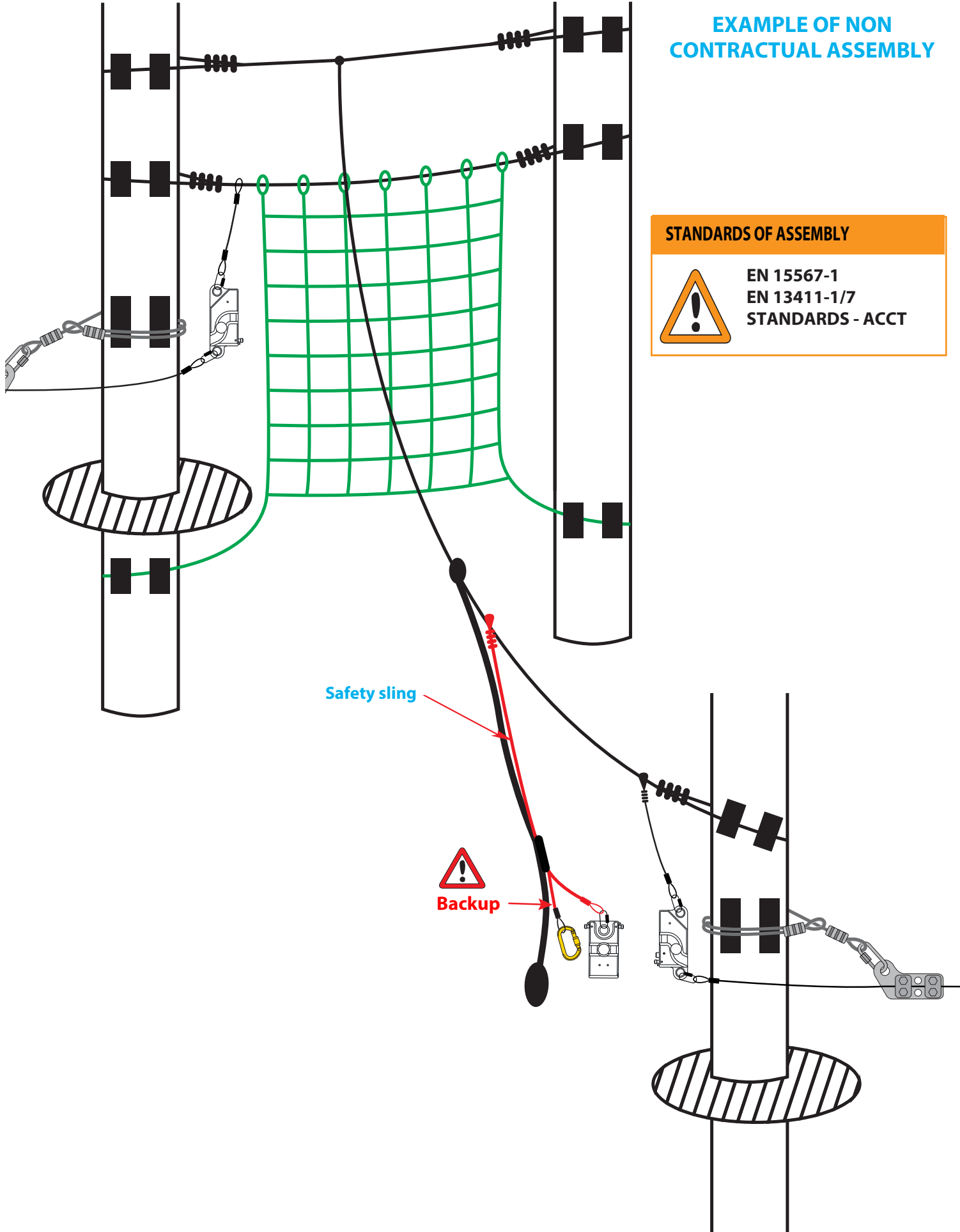
Opération 4

FIXING EXAMPLE MOBILE PART




Opération 5

● Solution for Tarzan jump



EXAMPLE OF NON CONTRACTUAL ASSEMBLY

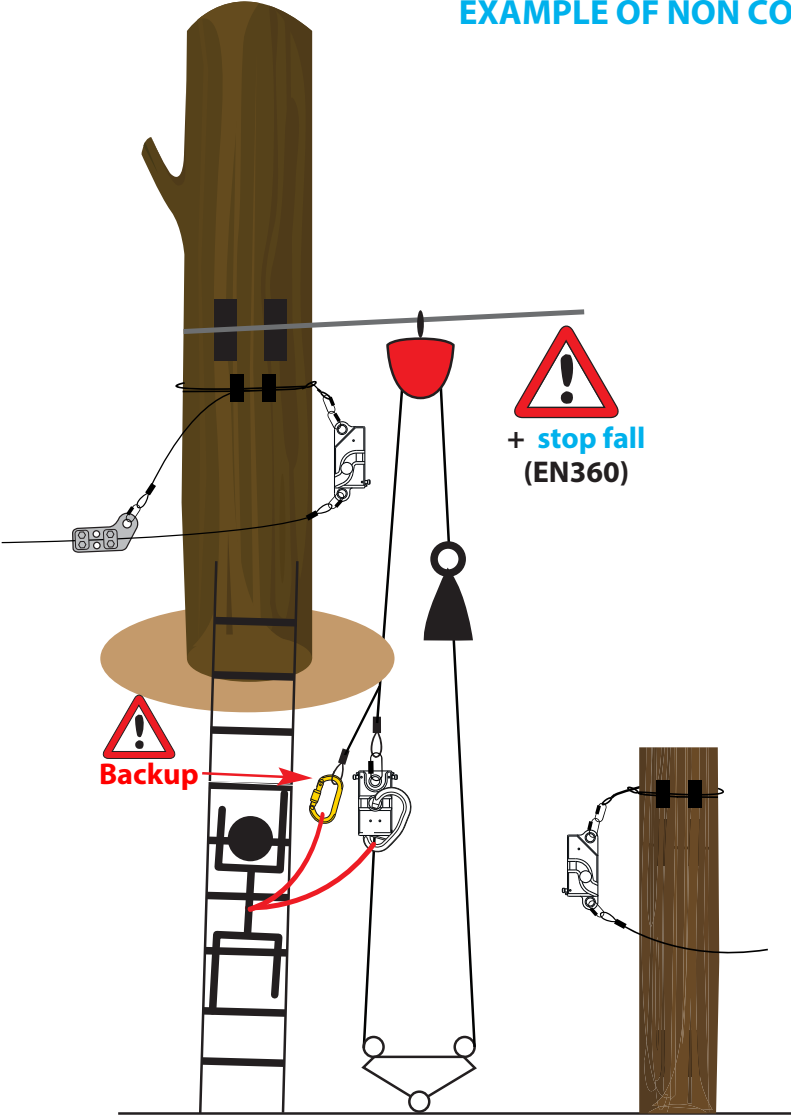
STANDARDS OF ASSEMBLY

 EN 15567-1
EN 13411-1/7
STANDARDS - ACCT


Opération 6

Solution for VERTICALITIES

EXAMPLE OF NON CONTRACTUAL ASSEMBLY



STANDARDS OF ASSEMBLY



EN 15567-1
EN 13411-1/7
STANDARDS - ACCT

