

ZAZA2 CT

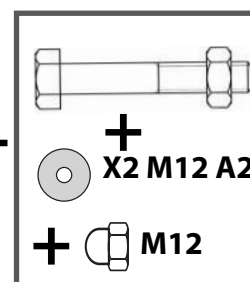
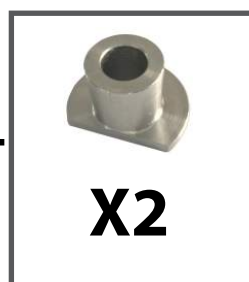
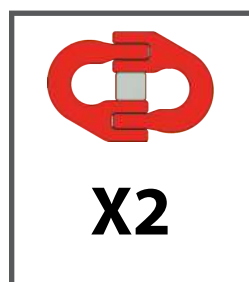
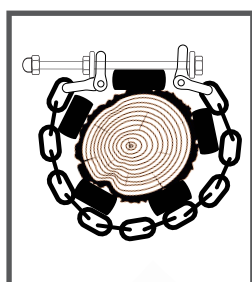
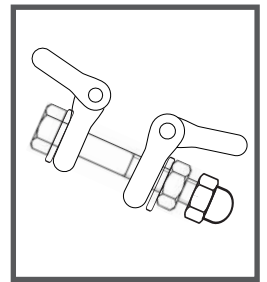
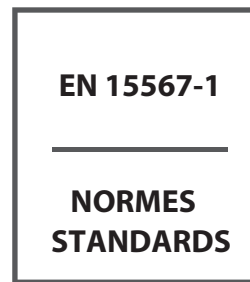
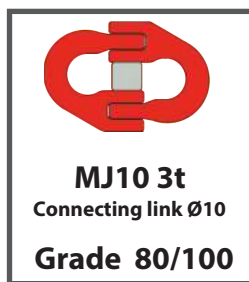
CHAIN TENSIONER

SOLD WITHOUT CHAIN



ADVANTAGES

- /Easy to install
- Adaptable to the growth of the tree



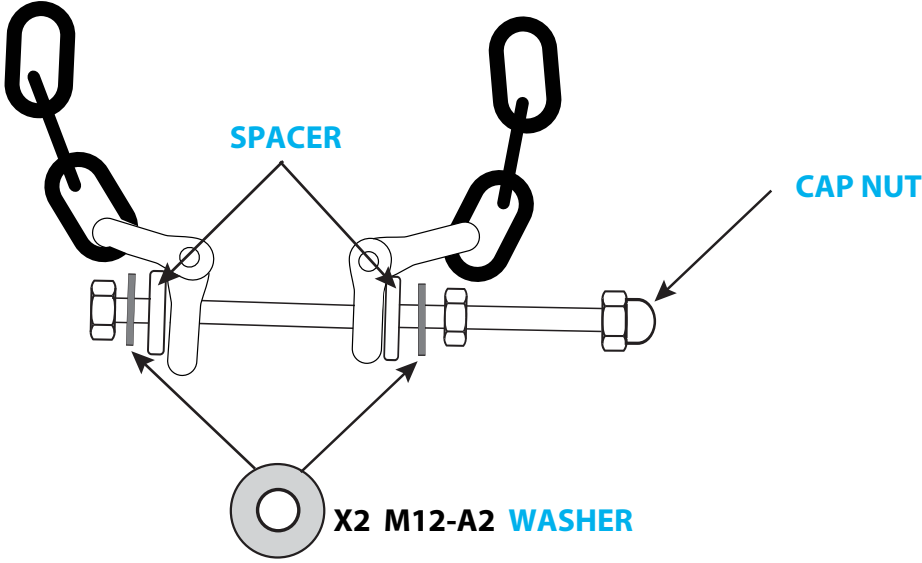
length of the chain = (perimeter of the tree + wedges) - 150 mm



Disable deformed, worn or cracked chains

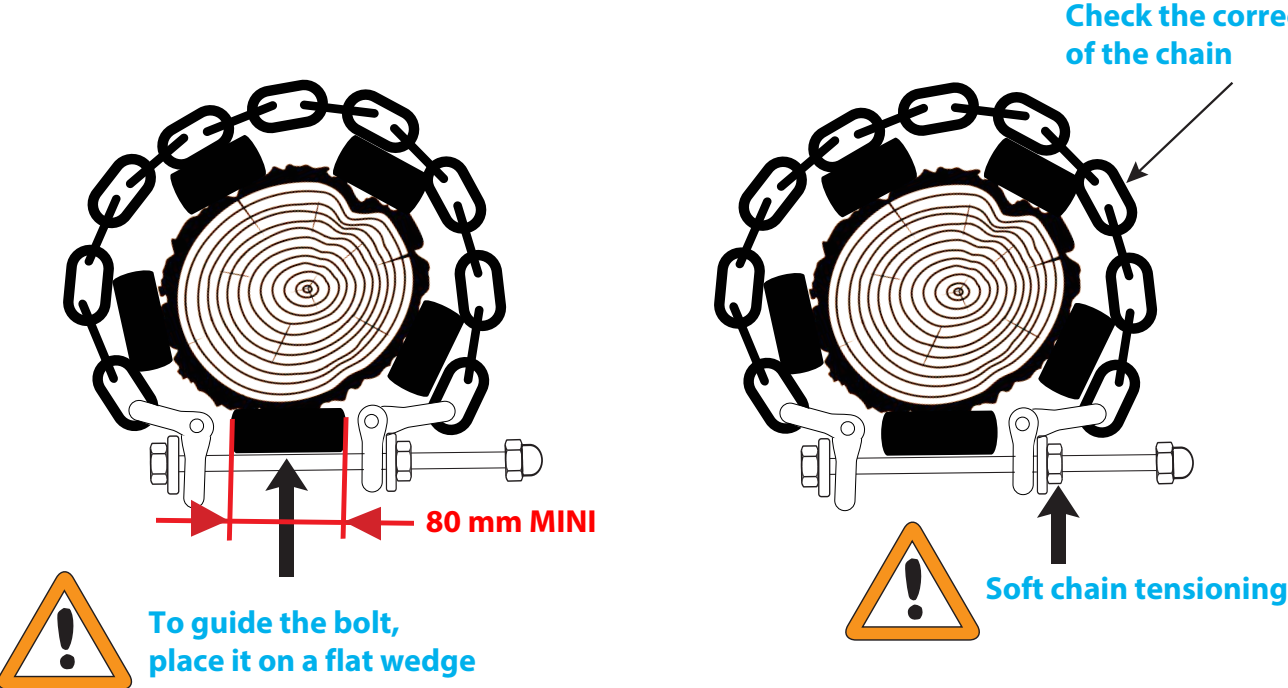
Opération 1

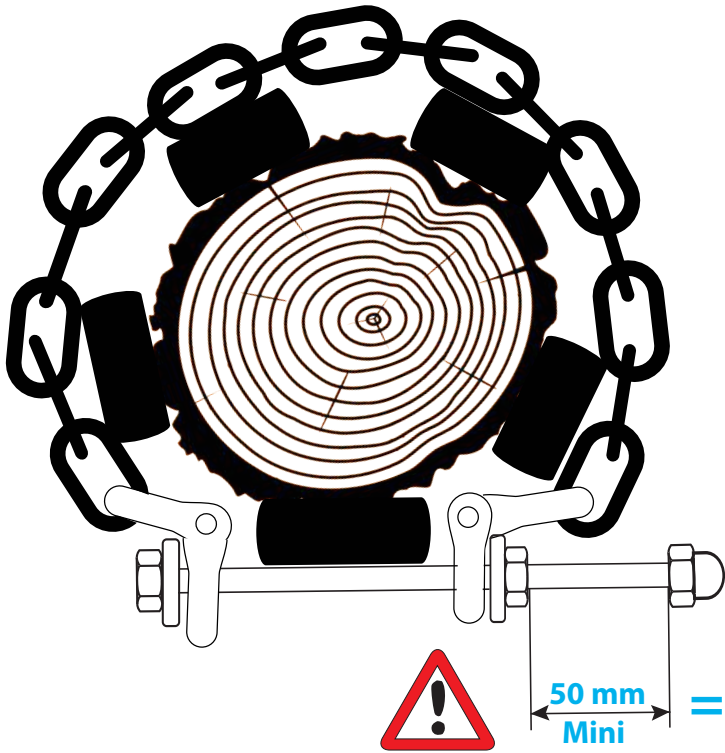
ASSEMBLY



Opération 2

RECOMMANDATION OF ASSEMBLY





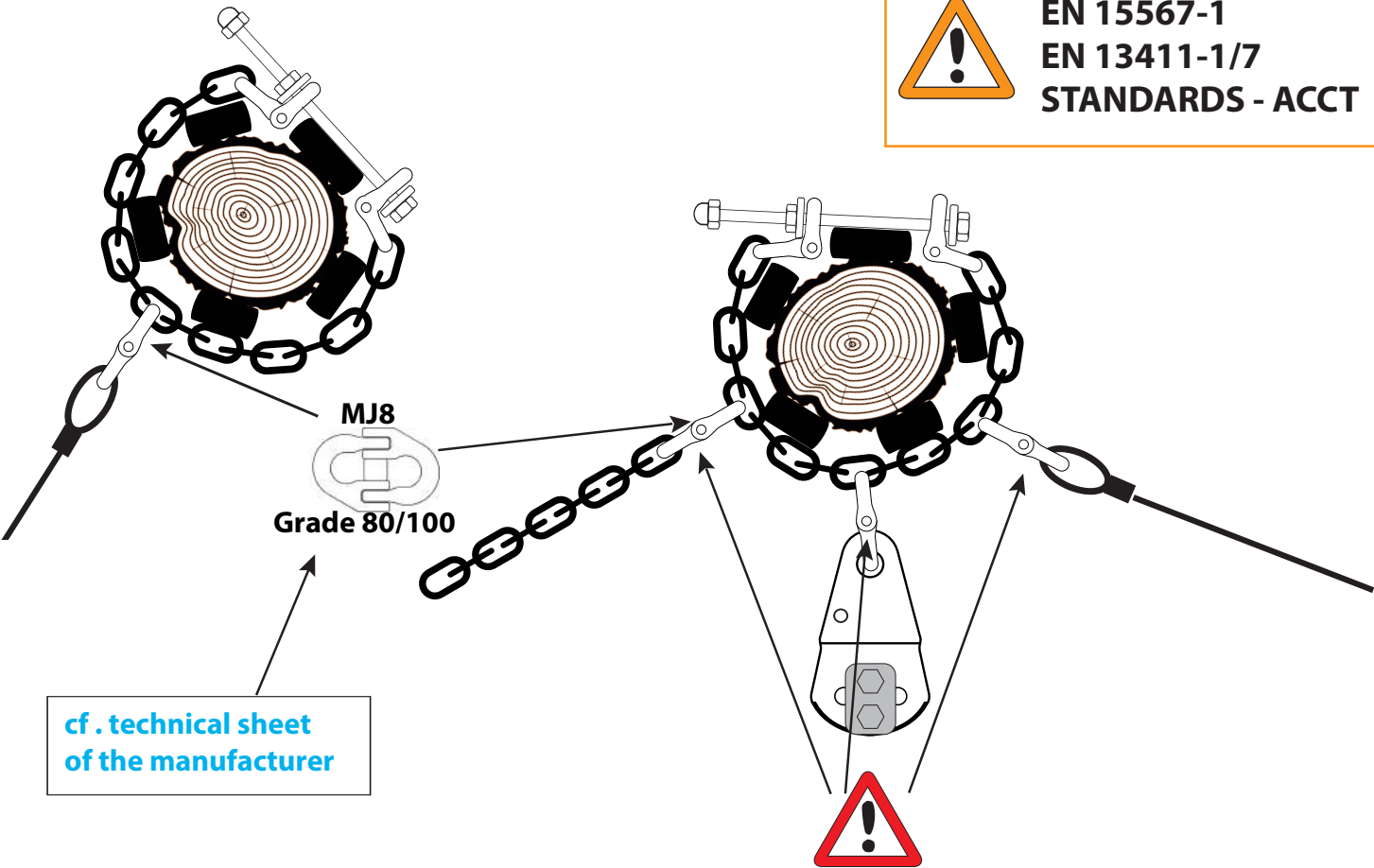
Opération 3

CONNECTION SLING / CHAIN

STANDARDS OF ASSEMBLY

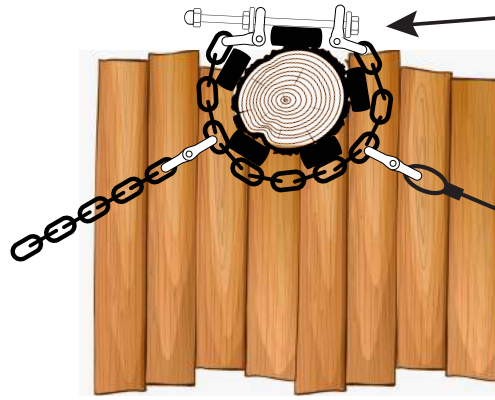


EN 15567-1
EN 13411-1/7
STANDARDS - ACCT



MULTIPLE CONNECTIONS → SUM OF THE LOAD = MAX 30 kN

ADVICE



Position the ZAZA2 CT out of contact with the user

STANDARDS OF ASSEMBLY



EN 15567-1
EN 13411-1/7
STANDARDS - ACCT

TRICK!



ZAZA2 PC with CLAMP